

# Cleaning and Grading by size

## Sample Cleaner SLN 3



- fully automatic cleaning
- with deawner and aspiration
- for nearly all kinds of agricultural grains and crops
- quick sieve exchange
- maintenance free
- relatively silent operation



for cleaning and grading by size as means of selecting grain for seed, malting, feed etc.

- Pfeuffer GmbH  
Postfach 248  
D-97305 Kitzingen
- Telefon +49 93 21 93 69 -0  
Telefax +49 93 21 93 69 -50  
Internet [www.pfeuffer.com](http://www.pfeuffer.com)

**PFEUFFER**  
Mess- und Prüfgeräte

rational kornservice

# Standard Machine at Grain Intake

## Sample Cleaner SLN 3

### ■ Application

The sample cleaner is a sieving machine equipped with deawner and aspiration. It is very versatile and can be used for a wide range of products ranging from oil seeds like rape seed to maize and beans.

The cleaning operation is according to a process cleaning machine, allowing an accurate assessment of the batches at the intake (e.g. straw, sand, dust, small grains and good quality).

The selection based on a sample makes it possible to accept quality grain or alternatively reject batches which do not meet the specified standards.

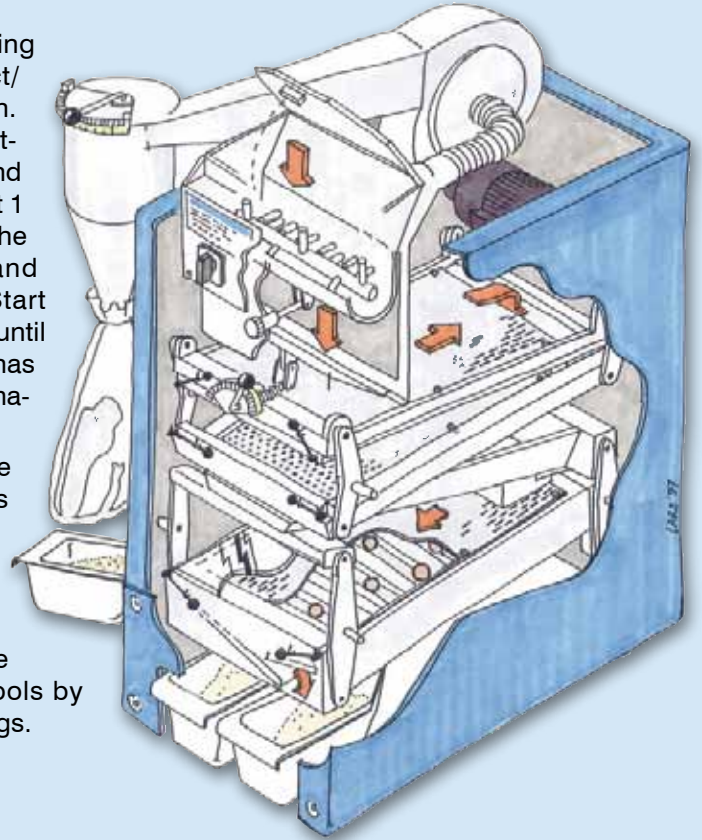
### ■ Function

The deawner bottom flap is closed and the preweighed grain sample is fed into the deawner. The lid is closed and the machine starts. After 20-60 secs (adjustable) the deawner discharges the sample on to the screen. The light waste is air lifted into the cyclone and precipitated into the plastic bag. The good grain is passed through the top screen and the large impurities are carried over. The good grain is carried over the second screen and the sand and small seeds are passed through the screen. The good grain is then returned back to the lower grading screen. The prime material (good grain) is fed into the right collecting tray. The undersized grain is fed into the left hand tray. The sand, small seeds and light material not separated by the aspiration system are fed into the tray at the left hand side of the sample cleaner.

### ■ Operation

Install the corresponding sieves for the product/seeds you want to clean. Close the deawner bottom flap, Open the lid and fill in the sample (about 1 kg). Set the feed rate, the aspiration strength and the deawning time. Start the machine and wait until the complete sample has been run through the machine.

With an optional balance the percent fractions can directly be determined after cleaning. The containers are tared. The exchange of the sieves can be done quickly without any tools by means of fixation springs.



### ■ Accessory (optional)

A large feed hopper can be supplied to enable the cleaner to be used for the separation of pedigree seed from experimental yields. Extension hopper, run through trays and sack holder for continuous cleaning are available as well as screen plates and electronic balances with percent calculation.

### ■ Technical data

Standard accessory consists of 5 plastic trays of uniform weight, 2 metres cable and 3 screens.

power supply	230 V / 50 Hz
performance	0,37 kW
dimensions	ca. 970 x 580 x 680 mm
weight	ca. 85 kg

We reserve the right to make technical modifications!



pic.  
sample cleaner SLN 3,  
sample divider 2H and  
above reception box  
of truck sampler Rakoraf

■ **Pfeuffer GmbH**  
Mess- und Prüfgeräte  
Flugplatzstraße 70  
D-97318 Kitzingen

■ **Telefon** +49 93 21 93 69 -0  
**Telefax** +49 93 21 93 69 -50  
**e-mail** [info@pfeuffer.com](mailto:info@pfeuffer.com)

**PFEUFFER**  
Mess- und Prüfgeräte

rational kornservice